

PVC Ball Valves

Thread or Slip

FEATURES

- PVC handle/lever
- Industrial Grade, Maintenance Free Design
- Fully ported opening
- One piece PVC molded body, Leak tested 100%
- Available with female NPT or slip / socket connections
- Applications include: Irrigation, Water Supply, Plumbing, Swimming Pool, Chemical Feed, Marine and Waste Water

OPERATING SPECIFICATIONS

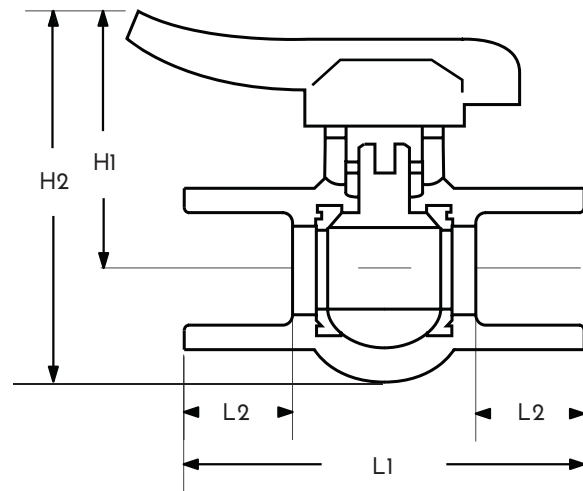
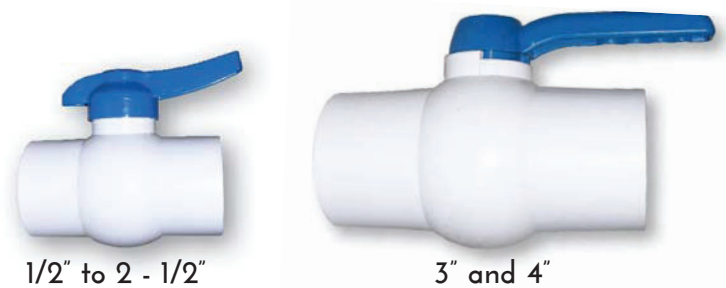
- Pressure Ratings:
 - 1/2" - 2" Valves rated at 200 psi @ 70°F
 - 2 1/2" - 4" Valves rated at 150 psi @ 70°F
- Temperature Operating range is from 41°F to 122°F
- EPDM seat and O-ring

DETAILED SPECIFICS

Part Number	Size	Schedule Class	Pressure Rated at 70F
BVT-005/BVS-005	1/2"	80	200 PSI
BVT-007/BVS-007	3/4"	80	200 PSI
BVT-010/BVS-010	1"	80	200 PSI
BVT-012/BVS-012	1 - 1/4"	80	200 PSI
BVT-015/BVS-015	1 - 1/2"	80	200 PSI
BVT-020/BVS-020	2"	80	200 PSI
BVT-025/BVS-025	2 - 1/2"	80	150 PSI
BVT-030/BVS-030	3"	80	150 PSI
BVT-040/BVS-040	4"	80	150 PSI

DIMENSIONS

Part Number	L1	L2	H1	H2
BVT-005/BVS-005	3	0.87	1.98	2.49
BVT-007/BVS-007	3.45	0.90	2.11	3.02
BVT-010/BVS-010	3.91	1.00	2.21	3.42
BVT-012/BVS-012	4.35	1.06	2.45	3.83
BVT-015/BVS-015	5.00	1.20	2.97	4.26
BVT-020/BVS-020	5.75	1.50	3.43	5.10
BVT-025/BVS-025	6.82	1.57	3.91	6.53
BVT-030/BVS-030	9.38	2.50	4.42	7.42
BVT-040/BVS-040	10.38	2.56	5.05	8.23



ORDER SPECIFICATION GUIDE : Model

Threaded Models

- BVT-005 = 1/2" Threaded PVC Ball Valve
- BVT-007 = 3/4" Threaded PVC Ball Valve
- BVT-010 = 1" Threaded PVC Ball Valve
- BVT-012 = 1 - 1/4" Threaded PVC Ball Valve
- BVT-015 = 1 - 1/2" Threaded PVC Ball Valve
- BVT-020 = 2" Threaded PVC Ball Valve
- BVT-025 = 2 - 1/2" Threaded PVC Ball Valve
- BVT-030 = 3" Threaded PVC Ball Valve
- BVT-040 = 4" Threaded PVC Ball Valve

Slip Models

- BVS-005 = 1/2" Slip PVC Ball Valve
- BVS-007 = 3/4" Slip PVC Ball Valve
- BVS-010 = 1" Slip PVC Ball Valve
- BVS-012 = 1 - 1/4" Slip PVC Ball Valve
- BVS-015 = 1 - 1/2" Slip PVC Ball Valve
- BVS-020 = 2" Slip PVC Ball Valve
- BVS-025 = 2 - 1/2" Slip PVC Ball Valve
- BVS-030 = 3" Slip PVC Ball Valve
- BVS-040 = 4" Slip PVC Ball Valve

