

310 Series Straight Flow Valves

FEATURES

- Patented full open straight through flow design
- Extremely low pressure loss
- Low flow capability from 1 GPH
- Slow closing - minimizes water hammer
- Contamination resistant with internal control water filtration with "Agitator"
- Internal manual bleed operation and can be removed for "tamper proof" operation
- Heavy duty reinforced diaphragm
- 33% glass filled nylon construction
- All stainless steel screws and components
- Available with or without flow control stem
- Self tapping stainless screws (6) for bonnet to body fastening (Hex/Phillips heads)
- Suitable for residential and commercial applications
- PVC body for slip configuration

A straight flow valve has a patented open flow design. There are no 90 degree angles that the flow of water has to maneuver around. This allows for flow rates as far low as 1 GPH. The diaphragm inside does not cause hammering when closing like a typical valve.

PRESSURE LOSS WITH 1" VALVE

Flow (GPM)	Pressure Loss (PSI)
15	1.2
20	2.1
25	4.0
30	5.0
35	6.2
40	8.0
45	10.0

ELECTRICAL SPECIFICATIONS

- 24 VAC standard
- Inrush: 350 mA
- Holding: 250 mA
- Standard 24 VAC 60 Hz solenoid (black wire) Hex plunger design for sandy water conditions

OPERATING SPECIFICATIONS

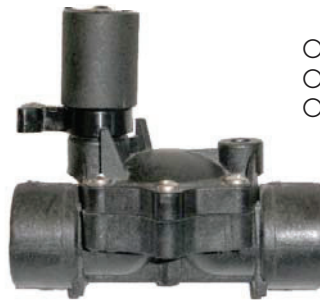
- 1" Flow: 1 GPH - 50 GPM
- Operating pressure: 10 to 150 PSI
- All valves for outdoor use and installation only
- Recommended velocity not to exceed 5 feet per second of corresponding pipe size

OPTIONS AVAILABLE

- Reclaimed purple valves
- 110 VAC solenoid
- BSP threads
- Without solenoid

310-005

1" PVC Female Thread inlet and outlet
 Overall Height: 5 - 1/2"
 Overall Width: 3 - 1/2"
 Overall Length 5"



310-000

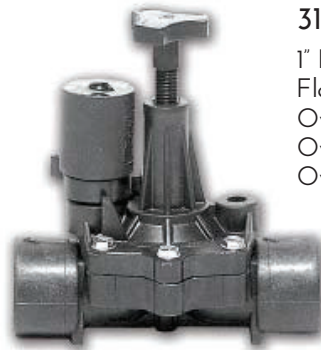
1" Nylon Female Thread inlet and outlet
 Overall Height: 5 - 1/2"
 Overall Width: 3 - 1/2"
 Overall Length 5"



310 Series Straight Flow Valves



310-050
1" Nylon Female Thread inlet and outlet
Flow Control
Overall Height: 5 - 1/2"
Overall Width: 3 - 1/2"
Overall Length 5"



310-055
1" PVC Slip Socket inlet and outlet
Flow Control
Overall Height: 5 - 1/2"
Overall Width: 3 - 1/2"
Overall Length 5"

ORDER SPECIFICATION GUIDE : Model + Options

Model

- 310-000 = 1" Nylon Female Threaded Inlet / Outlet without Flow Control
- 310-005 = 1" PVC Slip Inlet / Outlet without Flow Control
- 310-050 = 1" Nylon Female Threaded Inlet / Outlet with Flow Control
- 310-055 = 1" PVC Slip Inlet / Outlet with Flow Control

Options

- R = Reclaimed Purple Valve
- WS = Without solenoid
- BSP = BSP Threads
- 110VAC = 110 VAC Solenoid

