



510-050
1"



515-050
1-1/2"



520-050
2"



530-050
3"

500 SERIES STRAIGHT FLOW VALVES

- Available in 1", 1½", 2" and 3" NPT or BSP threads
- Patented full open straight through flow design
- Extremely low pressure loss
- Low flow capability from 1 GPH
- Contamination resistant w/ internal control water filtration
- Internal manual bleed operation
- Manual bleed can be removed for "tamper proof" operation
- Heavy duty reinforced EPDM diaphragm
- 33% glass filled nylon construction
- Heavy duty brass threaded retainer nuts in body (6 bolt pattern)
- Heavy duty stainless steel bolts for bonnet assembly (6 bolt pattern)
- Heavy duty stainless steel flow control stem
- 10-200 PSI operating range
- Hex plunger for sandy water conditions
- Standard 24 VAC 60 Hz solenoid (black wire)
- Special 24 VAC 50 Hz solenoid for European and Australian power white wire
- 1" available with flow or non flow control, threaded or socket (glass filled PVC body)
- Optional pressure regulation
- Ideal for residential and commercial applications

SPANISH

- Modelos de 1", 1½", 2" y 3" con rosca NPT o BSP
- Diseño patentado de paso directo, completamente libre
- Pérdidas de presión mínimas
- Caudal mínimo necesario desde 4 l/h
- Resistente a la suciedad gracias al control interno del filtro
- Apertura manual con desagüe interno
- La apertura manual puede ser inutilizada para evitar manipulaciones no autorizadas
- Diafragma reforzado resistente
- Construido con 33% fibra de vidrio reforzado con nylon
- 6 tuercas de latón insertas en el cuerpo de la válvula
- Sujeción del cuerpo mediante 6 tornillos de acero inoxidable
- Regulador de caudal de acero inoxidable
- Presión de trabajo de 0,7 a 14 bar
- Solenoide 24 VAC 60 Hz (cable negro). Diseño de pistón hexagonal para su uso en aguas sucias
- Solenoide 24 VAC 50 Hz para Europa y Australia (cable blanco)
- El modelo de 1" está disponible con y sin regulador de caudal, con toma roscada o lisa (cuerpo fibra de vidrio con PVC)
- Regulador de presión opcional
- Aplicaciones públicas y residenciales

HIT PRODUCTS CORPORATION

556 S. Mirage Avenue • P.O. Box 929 • Lindsay, CA 93247
TEL.: (559) 562-5975 • FAX: (559) 562-6626 • EMAIL: sales@hitproductscorp.com

April 2013



510-050
1"



515-050
1-1/2"



520-050
2"



530-050
3"

500 SERIES STRAIGHT FLOW VALVES

FRENCH

- Modèle 1", 1½", 2" et 3" taraudée NPT ou BSP
- Design breveté passage direct, complètement libre
- Pertes de charges minimales
- Débit nécessaire minimum à partir de 4 l/h
- Résiste les eaux chargées grâce au contrôle interne du filtre
- Ouverture manuelle avec vidange interne
- Possibilité d'annuler l'ouverture manuelle pour éviter les manipulations non autorisées
- Diaphragme renforcé de haute résistance
- Fabriquée en 33% fibre de verre et renforcement de nylon
- Six vis en laiton serties dans le corps de la vanne électrique
- Fixation du corps par 6 vis en acier inoxydable
- Régulateur de débit en acier inoxydable
- Pression de travail de 0,7 à 14 bars
- Solénoïde 24 VAC 60 Hz (cable noir). Design du plongeur hexagonal pour utilisation d'eaux chargées
- Solénoïde 24 VAC 50 Hz pour l'Europe et Australie (cable blanc)
- Le modèle 1" est disponible avec et sans réglage de débit, taraudée ou lisse (corps en fibre de verre et PVC)
- Régulateur de pression en option
- Conçue pour installations publiques et résidentielles

ITALIAN

- Disponibile nei modelli da 1", 1½", 2" e 3", NPT o BSP
- Passaggio totale completamente libero, brevettato
- Perdita di carico minima
- Portata minima necessaria di solo 4 lt/h
- Alta resistenza all'acqua sporca grazie al filtro interno
- Apertura manuale con gocciolamento interno
- Manopola di apertura manuale rimovibile per evitare manovre non autorizzate
- Membrana resistente
- Fabbricata in Nylon e 33% fibra di vetro
- Inserti in ottone nel corpo valvola per il fissaggio delle viti
- Fissaggio del coperchio con 6 viti in acciaio inossidabile
- Albero del controllo di flusso in acciaio inossidabile
- Pressione di lavoro compresa fra 0,7 e 14 bar
- Solenoide standard 24 VAC 60 Hz (con fili neri) con pistoncino per acque sporche
- Solenoide specifico 24 VAC 50 Hz (con fili bianchi) per l'Europa e l'Australia
- Disponibili con o senza controllo di flusso, con filetto o nella versione per incollaggio (corpo in fibra di vetro rinforzata con PVC)
- Regolatore di pressione opzionale
- Ideale per applicazioni residenziali e pubbliche

HIT PRODUCTS CORPORATION

556 S. Mirage Avenue • P.O. Box 929 • Lindsay, CA 93247

TEL.: (559) 562-5975 • FAX: (559) 562-6626 • EMAIL: sales@hitproductscorp.com

SPECIFICATIONS

500 SERIES STRAIGHT FLOW VALVES



500 SERIES STRAIGHT FLOW VALVES

Operating Specifications:

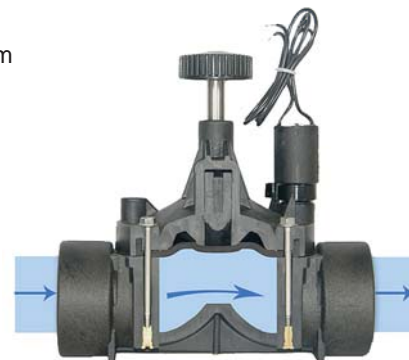
- 1" Flow: 1 GPM - 50 GPM
- 1 1/2" Flow: 1 - 110 GPM
- 2" Flow: 2 - 250 GPM
- 3" Flow: 5 GPM - 250 GPM
- Operating pressure: 15 to 200 PSI
- Recommended velocity not to exceed 5 fps of corresponding pipe size
- All valves for outdoor use and installation only

Features:

- Internal manual bleed
- Stainless steel components
- EPDM, fiber reinforced diaphragm
- Glass filled nylon construction
- Stainless steel flow control stem

Options Available:

- Pressure Regulation Device (consult price list)
- Reclaimed Purple Valves (consult price list)
- Normally Open Valves (consult price list)



Dimensions

Model #	Size	Description	Overall Length		Overall Width		Overall Height	
			inch	mm	inch	mm	inch	mm
510-000	1"	Female Thread Inlet and Outlet without Flow Control	5	127	3 1/2	89	4 1/2	115
510-000-P	1"	Female Thread Inlet and Outlet without Flow Control	8 1/2	216	6 1/2	165	5 3/4	146
510-005	1"	Slip Socket Inlet and Outlet without Flow Control	5	127	3 1/2	89	4 1/2	115
510-050	1"	Female Thread Inlet and Outlet with Flow Control	5	127	3 1/2	89	6	152
510-050-P	1"	Female Thread Inlet and Outlet with Flow Control	5	216	9 1/2	165	6	152
510-050-R	1"	Female Thread Inlet and Outlet with Flow Control	5	127	3 1/2	89	6	152
510-055	1"	Slip Socket Inlet and Outlet with Flow Control	5	127	3 1/2	89	6	152
515-050	1 1/2"	Female Thread Inlet and Outlet with Flow Control	7	178	4 1/2	115	6	152
515-050-P	1 1/2"	Female Thread Inlet and Outlet with Flow Control	8 3/4	223	6 1/2	165	6	152
515-050-R	1 1/2"	Female Thread Inlet and Outlet with Flow Control	7	178	4 1/2	115	6	152
520-050	2"	Female Thread Inlet and Outlet with Flow Control	8 1/4	210	5 3/4	146	8	204
520-050-P	2"	Female Thread Inlet and Outlet with Flow Control	10 1/4	260	6 1/2	165	8	204
520-050-R	2"	Female Thread Inlet and Outlet with Flow Control	8 1/4	210	5 3/4	146	8	204
530-050	3"	Female Thread Inlet and Outlet with Flow Control	8 7/8"	225	6 1/4"	159	9	229
530-050-P	3"	Female Thread Inlet and Outlet with Flow Control	10 1/4"	250	6 1/2"	165	9	229
530-050-R	3"	Female Thread Inlet and Outlet with Flow Control	8 7/8"	225	6 1/4"	159	9	229

Pressure Loss

Flow	GPM	15	20	25	30	35	40	45	60	80	100	150	200	250
Valve Size	1"	1.2	2.1	4	5	6.2	8	10						
	1 1/2"						2	2.2	2.6	3	4	8		
	2"						1.5	1.8	3	3	4	5	7	
	3"							1.8	3	3	4	5	7	10

Pressure Loss (Metric) Bars / kPa

Flow	l/min m³/hr	56.8 3.4	75.7 4.5	94.6 5.7	113.6 6.8	132.5 7.9	151.4 9.1	170.3 10.2	227.1 13.6	302.8 18.2	378.5 22.7	567.8 34.1	757.1 45.4
Valve Size	1"	0.1 8.3	0.1 14.5	0.3 27.6	0.3 34.5	0.4 42.7	0.6 55.2	0.7 69.0					
	1 1/2"						0.1 13.8	1.5 151.7	0.2 17.9	0.2 20.7	0.3 27.6	0.6 55.2	
	2"						0.1 10.3	0.1 12.4	0.2 20.7	0.2 20.7	0.3 27.6	0.3 34.5	0.5 48.3
	3"						0.1 10.3	0.1 12.4	0.2 20.7	0.2 20.7	0.3 27.6	0.3 34.5	0.5 48.3

Specifications may change due to engineering changes.

HIT PRODUCTS CORPORATION

556 S. Mirage Avenue • P.O. Box 929 • Lindsay, CA 93247
 TEL.: (559) 562-5975 • FAX: (559) 562-6626 • EMAIL: sales@hitproductscorp.com

April 2014

SPECIFICATIONS

500 SERIES STRAIGHT FLOW VALVES



SPANISH

Especificaciones Operativas:

- 1" Flujo: 0.22 - 11.35 m³/hr; 3 - 115 l/min
- 1 1/2" Flujo: 0.22 - 25 m³/hr; 3 - 416 l/min
- 2" Flujo: 0.44 - 56.8 m³/hr; 6 - 916 l/min
- Presión operativa: 1.03 - 13.8 bars; 103 - 1379 kPa

Especificaciones Eléctricas:

- 24 CA
- Corriente de entrada: 350 mA
- Consumo: 250 mA
- Ciclos: 50 Hz o 60 Hz
- La velocidad recomendada no deberá exceder 5 fps del correspondiente tamaño de tubería

Características:

- Purgador manual interno
- Componentes de acero inoxidable
- Diafragma reforzado
- Fabricado en nylon relleno de fibra de vidrio
- Regulador de caudal de acero inoxidable

Opciones Disponibles:

- Dispositivo regulador de presión (PRD) (consultar lista de precios)
- Válvulas para aguas recicladas con identificador lila (consultar lista de precios)
- Solenoide 110 VCA
- Roscas BSP
- Sin solenoide
- EPDM diafragma

FRENCH

Caractéristiques Techniques de Fonctionnement:

- 1" Flux: 0.22 - 11.35 m³/hr; 3 - 115 l/min
- 1 1/2" Flux: 0.22 - 25 m³/hr; 3 - 416 l/min
- 2" Flux: 0.44 - 56.8 m³/hr; 6 - 916 l/min
- Pression de fonctionnement: 1.03 - 13.8 bars; 103 - 1379 kPa

Électriques:

- 24 V.A.C.
- Courant d'appel: 350 mA
- Courant de maintien: 250 mA
- Cycles: 50 Hz ou 60 Hz
- La vitesse recommandée ne doit pas dépasser 5 pi/s dans la dimension du tube correspondant

Caractéristiques:

- Vidange manuel interne
- Composants en acier inoxydable
- Membrane renforcée
- Fabriqué en nylon armé de verre
- Régulateur de débit en acier inoxydable

Options Disponibles:

- Régulateur de pression (PRD) (consulter la liste de prix)
- Vannes d'avertissement couleur mauve (consulter la liste de prix)
- Solénoïde de 110 V c.a
- Filets BSP
- Sans solénoïde
- EPDM diaphragme

ITALIAN

Dati Tecnici Relativi al Funzionamento:

- 1" Flusso: 0.22 - 11.35 m³/hr; 3 - 115 l/min
- 1 1/2" Flusso: 0.22 - 25 m³/hr; 3 - 416 l/min
- 2" Flusso: 0.44 - 56.8 m³/hr; 6 - 916 l/min
- Pressione di esercizio: 1.03 - 13.8 bars; 103 - 1379 kPa

Elettrico:

- 24 AC
- Punta: 350 mA
- Mantenimento: 250 mA
- Cicli: 50 Hz o 60 Hz
- La portata consigliata non deve superare 1,524 m/s per il tubo di dimensione corrispondente

Caratteristiche:

- Scarico manuale interno
- Componenti in acciaio inossidabile
- Diaframma rinforzato
- Fabbricazione in vetroresina

Opzioni Disponibili:

- Dispositivo per la regolazione della pressione (PRD) (consultare il listino prezzi)
- Valvole viola ricuperate (consultare il listino prezzi)
- Solenoide 110 V c.a.
- Filettature BSP
- Senza solenoide
- EPDM membrana

Specifications may change due to engineering changes.

HIT PRODUCTS CORPORATION

556 S. Mirage Avenue • P.O. Box 929 • Lindsay, CA 93247

TEL.: (559) 562-5975 • FAX: (559) 562-6626 • EMAIL: sales@hitproductscorp.com